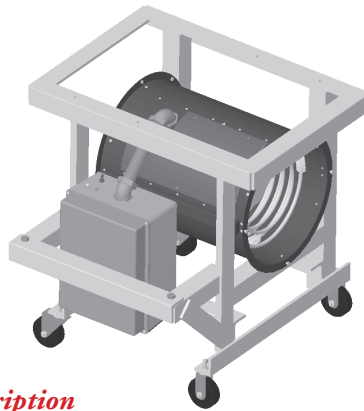


SDRA

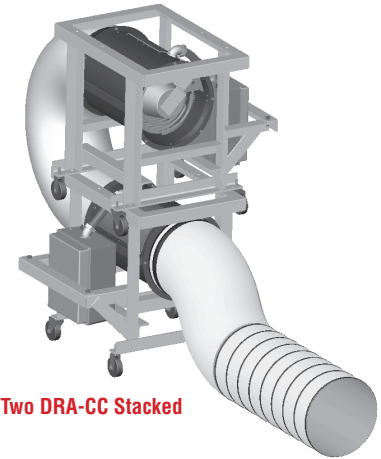
Portable High Temperature Blower Heater *(cont'd.)*

Model DRA-CC ChromaCube Portable Heating System for Use with Customer Supplied Air Source



Description

The DRA-CC series of SuperDragons have the same construction features as the rental grade units except do not include the blower section. The units require customer supplied air via 20" diameter flexible duct. The control circuit includes an air flow switch to protect



Two DRA-CC Stacked

the heater in case of a restricted or loss of air flow. The control enclosure includes a contactor(s), control transformer, power fusing and power on pilot lights.

Specifications and Ordering Information

kW	Volts 3 Ph	Amps	BTUH	CFM	Temp. Rise of	Model	Stock	PCN	Dimensions (In.)			Wt. (Lbs)
									W	L	H	
30	480	36.1	102,360	1100-2700	35-88	SDRA-CC-30-43	NS	295806	35.75	45.75	34	150
30	600	28.9	102,360	1100-2700	35-88	SDRA-CC-30-93	NS	295814	35.75	45.75	34	150
48	480	57.8	163,776	1100-2700	59-141	SDRA-CC-48-43	NS	295822	35.75	45.75	34	160
48	600	46.2	163,776	1100-2700	59-141	SDRA-CC-48-93	NS	295830	35.75	45.75	34	160
60	480	72.2	204,720	1100-2700	70-172	SDRA-CC-60-43	NS	295849	35.75	45.75	34	170
60	600	57.8	204,720	1100-2700	70-172	SDRA-CC-60-93	NS	295857	35.75	45.75	34	170

Stock Status: S = stock AS = assembly stock NS = non-stock
To Order—Specify model, PCN, kW, volts, phase and quantity.

Accessories



AD-16 Adjustable Damper

The adjustable damper can be attached to the intake side of the SuperDragon heaters to reduce the amount of airflow to insure the required air temperature is realized. This is especially important when the unit will be used without flexible duct.

Model	Description	Stock	PCN	Wt. (lbs)
AD-16	Adjustable Damper	S	295902	12



Duct Adapter Ring

Provides a means to attach 20" flexible duct to the intake or outlet of the SuperDragon series heaters. Two are required if using duct on the inlet and outlet for applications where air is recirculated.

Model	Description	Stock	PCN	Wt. (lbs)
DAR-20	20" Duct Adaptor	S	295873	20



Flexible Duct Splice

The flexible duct splice is designed to splice two or more 25' lengths of flexible duct to create longer lengths.

Model	Description	Stock	PCN	Wt. (lbs)
FDS-20	20" Dia. Duct Splice Kit	NS	295881	40

Duct Clamp (not shown)

Stainless steel band is designed to fit over the flexible duct for a secure attachment to the adapter ring or flexible duct splice.

Model	Description	Stock	PCN	Wt. (lbs)
DC-20	20" Dia. Duct Clamp	S	295890	3



FX-20 Flexible Duct

Chromalox heavy duty, flexible duct is constructed of 100% polyester based fabric and is 20" diameter and 25' long. It is made to resist wear and is suitable for temperatures from -40 to 220°F. The duct is internally supported with a steel wire helix and can be used on the air intake end of the heater and will not collapse under the negative pressure.

Model	Description	Stock	PCN	Wt. (lbs)
FX-20	20" Dia. Flexible Duct 25'	S	295865	45